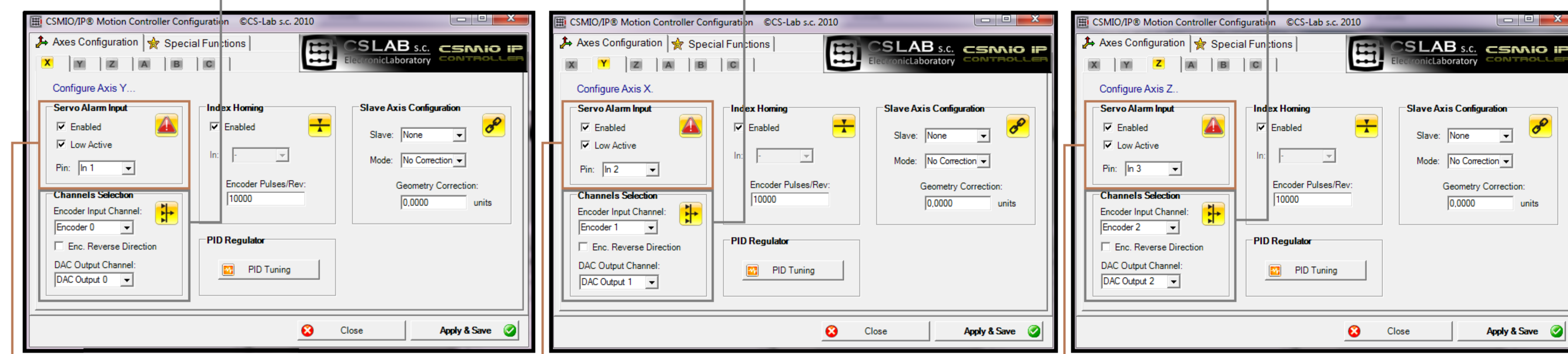


TRIO DX3



Engine Configuration - Ports & Pins

| Signal | Enabled | Port # | Pin Number | Active Low | Emulated | HotKey |
|------------|---------|--------|------------|------------|----------|--------|
| Input #1 | ✓ | 1 | 0 | ✓ | 0 | |
| Input #4 | ✓ | 1 | 0 | ✓ | 0 | |
| Probe | 0 | 0 | 0 | 0 | 0 | |
| Index | 0 | 0 | 0 | 0 | 0 | |
| Limit Over | 0 | 0 | 0 | 0 | 0 | |
| EStop | ✓ | 10 | 0 | ✓ | 0 | |
| THC On | 0 | 0 | 0 | 0 | 0 | |
| THC Up | 0 | 0 | 0 | 0 | 0 | |
| THC Down | 0 | 0 | 0 | 0 | 0 | |

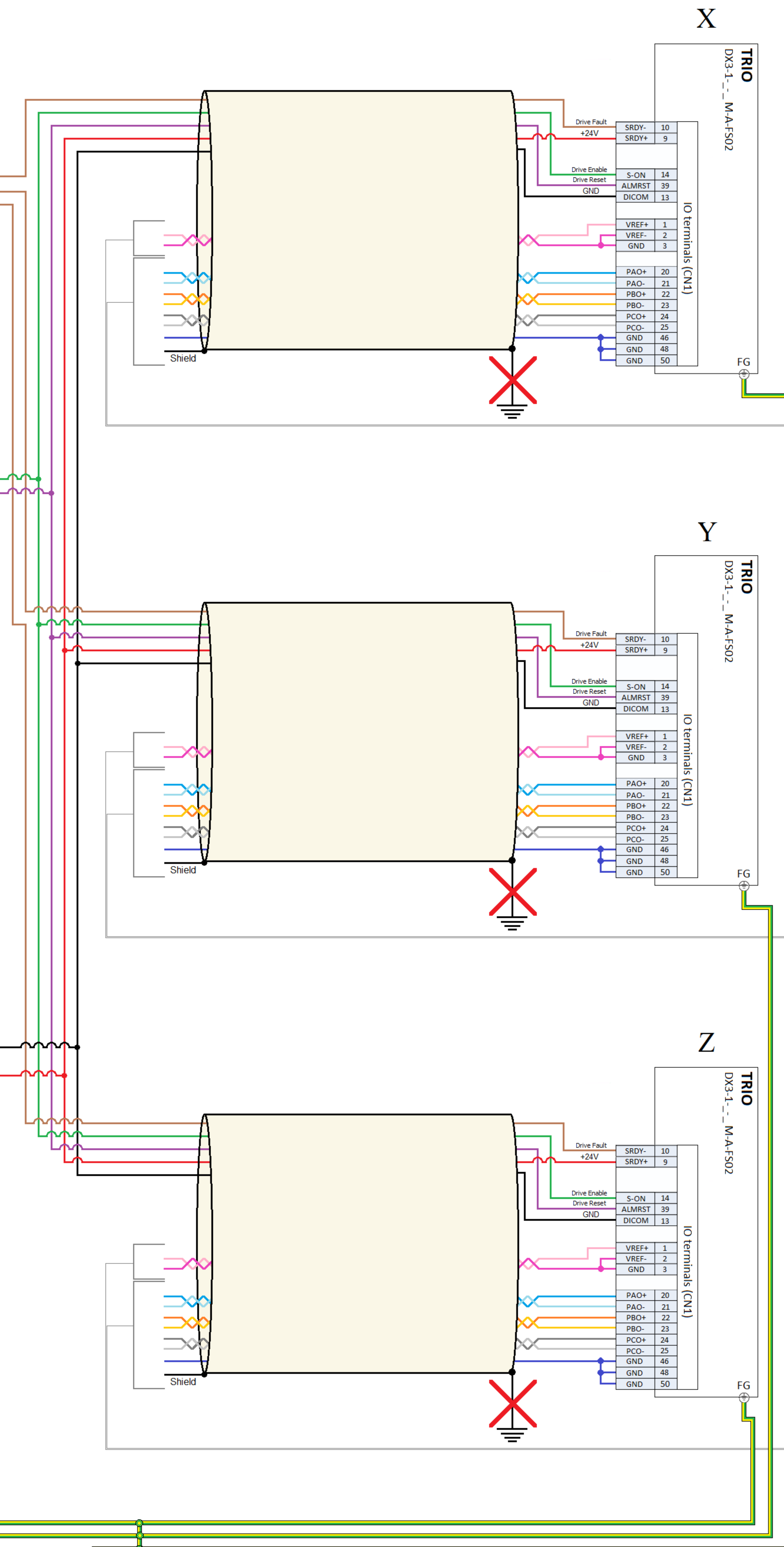
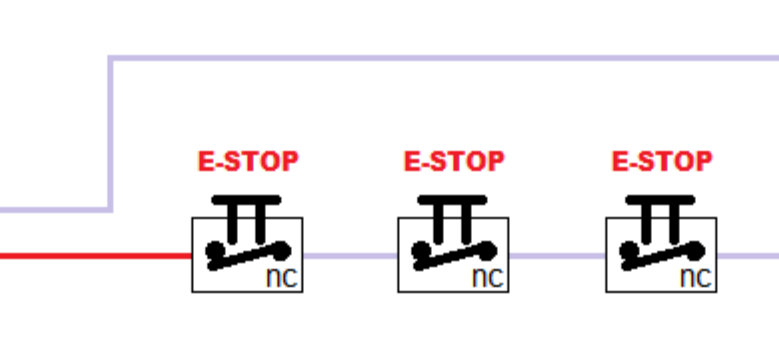
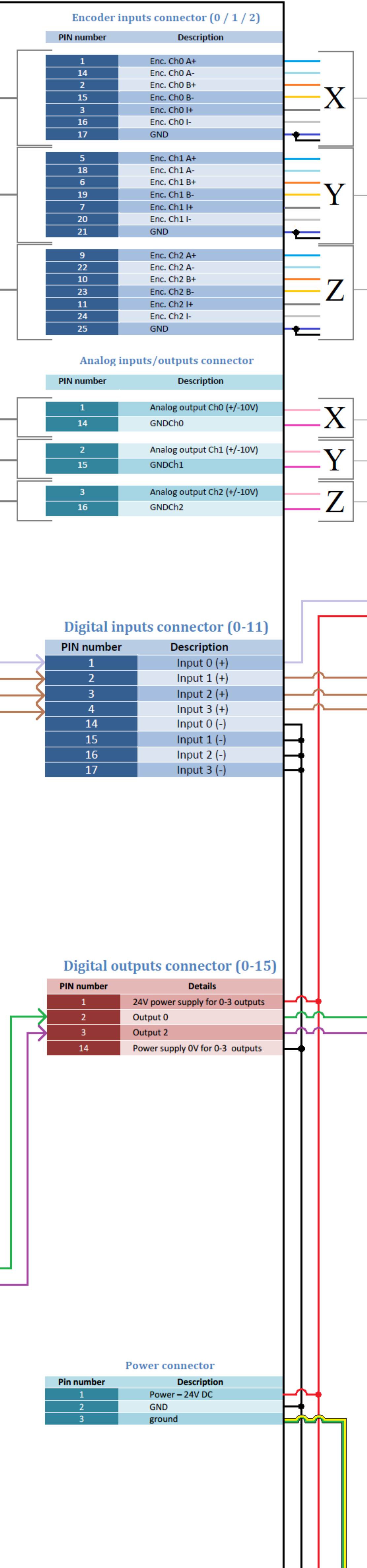
Pin 10-13 and 15 are inputs. Only these 5 pin numbers may be used on this screen.

Engine Configuration - Ports & Pins

| Signal | Enabled | Port # | Pin Number | Active Low |
|------------|---------|--------|------------|------------|
| Output #1 | ✓ | 1 | 0 | ✓ |
| Output #2 | ✓ | 1 | 0 | ✓ |
| Output #3 | ✓ | 1 | 0 | ✓ |
| Output #4 | ✓ | 1 | 0 | ✓ |
| Output #5 | ✓ | 1 | 0 | ✓ |
| Output #6 | ✓ | 1 | 0 | ✓ |
| Output #7 | ✓ | 1 | 0 | ✓ |
| Output #8 | ✓ | 1 | 0 | ✓ |
| Output #9 | ✓ | 1 | 0 | ✓ |
| Output #10 | ✓ | 1 | 0 | ✓ |
| Output #11 | ✓ | 1 | 0 | ✓ |
| Output #12 | ✓ | 1 | 0 | ✓ |
| Output #13 | ✓ | 1 | 0 | ✓ |
| Output #14 | ✓ | 1 | 0 | ✓ |
| Output #15 | ✓ | 1 | 0 | ✓ |
| Output #16 | ✓ | 1 | 0 | ✓ |
| Output #17 | ✓ | 1 | 0 | ✓ |

Pin 2 - 9, 1, 14, 16, and 17 are output pins. No other pin numbers should be used.

CSMIO/IP-A



Mach3

To the metal housing
Do metalowej obudowy

Earth Bars
Listwa uziemiająca

Earth / PE