

Hollow Shaft Incremental Rotary Encoder

Encoder model IHA38

Application: automatic control, measurements, robotic X-Y work.
 Features: high reliability, long life, strong anti-interference ability and wide range of temperature adaptation.

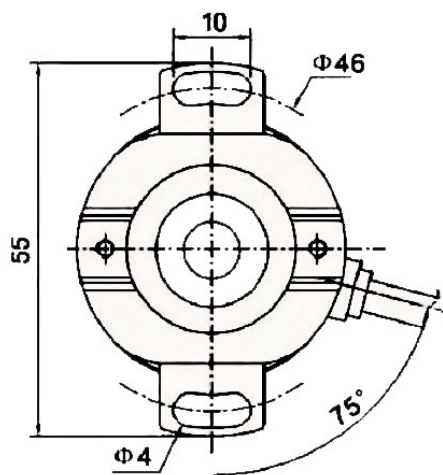


PRODUCT CODE

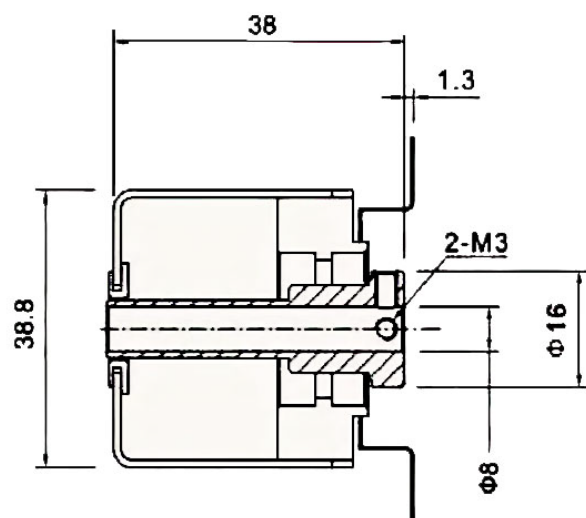
IHA38	08	-	102G	-	2500	ABZ	1	-	5	L
Series	Hollow diameter 08= Ø 8mm		G=Cable lead-out at side (length 2 m)		Pulses P/R 2500 (2500 * 4 edges =10000)	Output signal ABZ=A,A-,B,B-,Z,Z-phase	Z-signal width 1:TZ= 1T		Supply Voltage 5: SV DC	Output Form L: Line Driver 26LS31

CONNECTION TABLE

Signal	A	B	Z	Ā	B̄	Z̄	VCC	GND
Color	Green	White	Yellow	Brown	Grey	Orange	Red	Black



DIMENSION (mm)



TECHNICAL SPECIFICATION

Electrical Specification	
Output circuit	Line driver output
Power Vcc	5±0.25
Current	:5150mA
Load current	60mA
High-level output	Min 3.4V
Low-level Output	Max 0.4V
Rise Time Tr	Max 200ns
Fall Time Tr	Max 200ns
Max Responding Frequency	300kHz

Mechanical Specification				
Max speed(r/mi n)	Starting Torque	Max. Shaft loading	Shocking	Vibration
6000	<0.05Nm	Radial:50N, Axial:20N	50G/11-ms	1 OG 10-20001Hz
Rotor inertia	Working Temperature	Storage Temperature	Protection Grade	Weight
4*1 o-s Kgm 2	-30~85°C	-35-95°C	IP51	100g