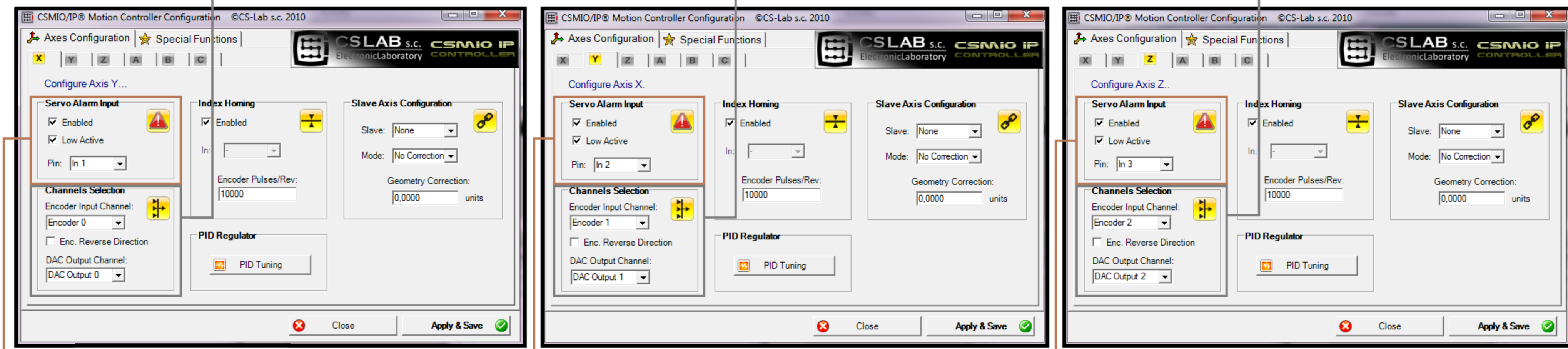


Rexroth



Engine Configuration - Ports & Pins

Signal	Enabled	Port #	Pin Number	Active Low	Emulated	HotKey
Input #1	✓	1	0	✓	0	
Input #4	✓	1	0	✓	0	
Probe	0	0	0	✓	0	
Index	0	0	0	✓	0	
Limit Over	0	0	0	✓	0	
Estop	✓	10	0	✓	0	
THC On	0	0	0	✓	0	
THC Up	0	0	0	✓	0	
THC Down	0	0	0	✓	0	

Pin 10, 13 and 15 are inputs. Only these 5 pin numbers may be used on this screen.

Engine Configuration - Ports & Pins

Signal	Enabled	Port #	Pin Number	Active Low
Output #1	✓	10	0	✓
Output #2	✓	1	0	✓
Output #3	✓	1	0	✓
Output #4	✓	1	0	✓
Output #5	✓	1	0	✓
Output #6	✓	1	0	✓
Output #7	✓	1	0	✓
Output #8	✓	1	0	✓
Output #9	✓	1	0	✓
Output #10	✓	1	0	✓
Output #11	✓	1	0	✓
Output #12	✓	1	0	✓
Output #13	✓	1	0	✓
Output #14	✓	1	0	✓
Output #15	✓	1	0	✓
Output #16	✓	1	0	✓
Output #17	✓	1	0	✓

Pin 2 - 9, 1, 14, 16, and 17 are output pins. No other pin numbers should be used.

CSMIO/IP-A

Encoder inputs connector (0 / 1 / 2)

Pin number	Description
1	Enc. CH0 A+
14	Enc. CH0 A-
2	Enc. CH0 B+
15	Enc. CH0 B-
3	Enc. CH0 H+
16	Enc. CH0 H-
17	GND
5	Enc. CH1 A+
18	Enc. CH1 A-
6	Enc. CH1 B+
19	Enc. CH1 B-
7	Enc. CH1 H+
20	Enc. CH1 H-
21	GND
9	Enc. CH2 A+
22	Enc. CH2 A-
10	Enc. CH2 B+
23	Enc. CH2 B-
11	Enc. CH2 H+
24	Enc. CH2 H-
25	GND

Analog inputs/outputs connector

Pin number	Description
1	Analog output CH0 (V=10V)
14	GNDCH0
2	Analog output CH1 (V=10V)
15	GNDCH1
3	Analog output CH2 (V=10V)
16	GNDCH2

Digital inputs connector (0-11)

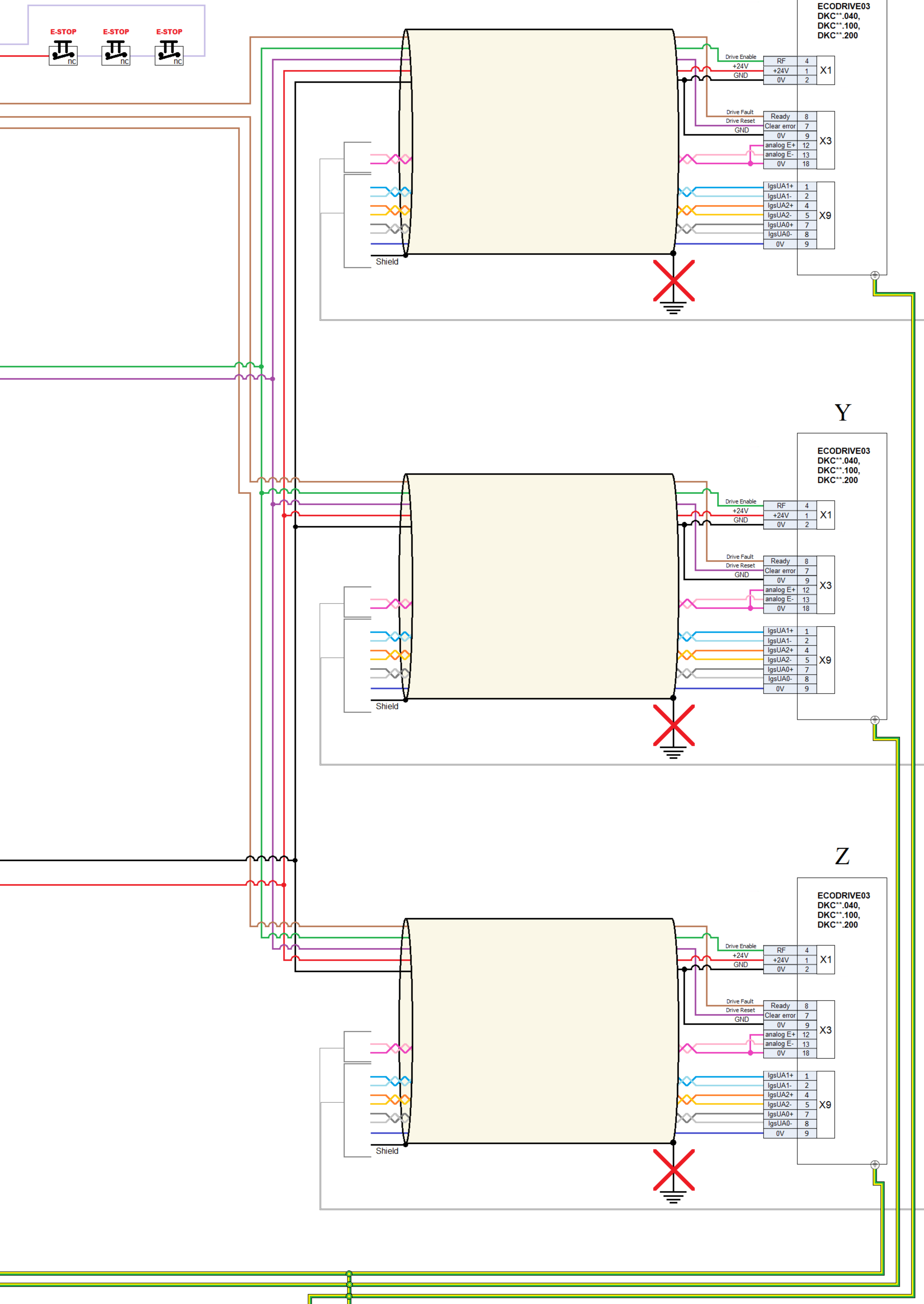
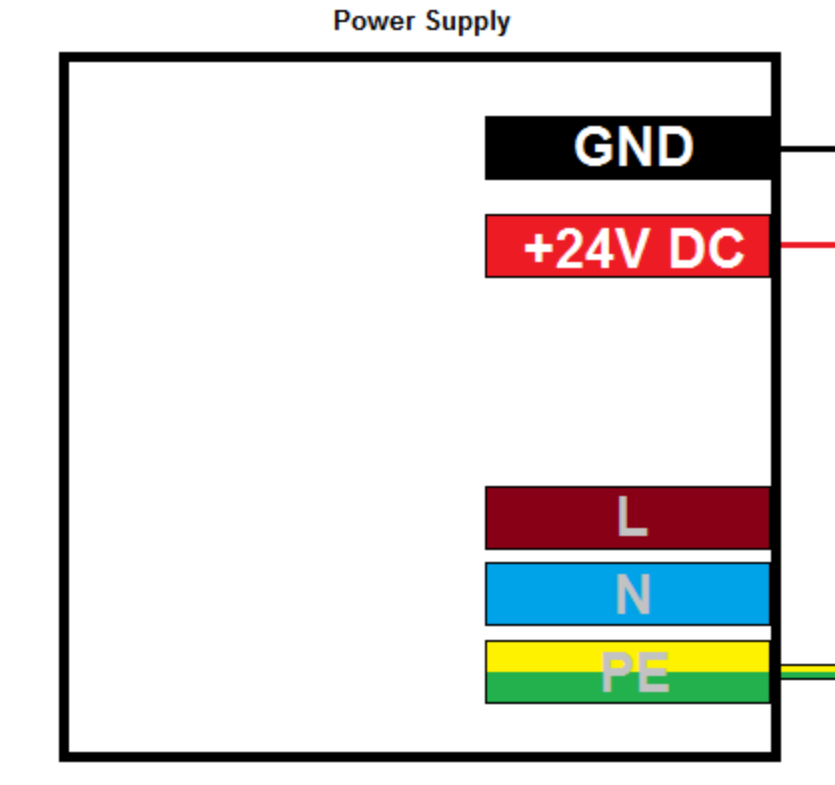
Pin number	Description
1	Input 0 (+)
2	Input 1 (+)
3	Input 2 (+)
4	Input 3 (+)
14	Input 0 (-)
15	Input 1 (-)
16	Input 2 (-)
17	Input 3 (-)

Digital outputs connector (0-15)

Pin number	Description
1	24V power supply for 0-3 outputs
2	Output 0
3	Output 1
14	Power supply 0V for 0-3 outputs

Power connector

Pin number	Description
1	Power -24V DC
2	GND
3	ground



To the metal housing  
Do metalowej obudowy

Earth Bars  
Listwa uziemiająca

Earth / PE

Mach3