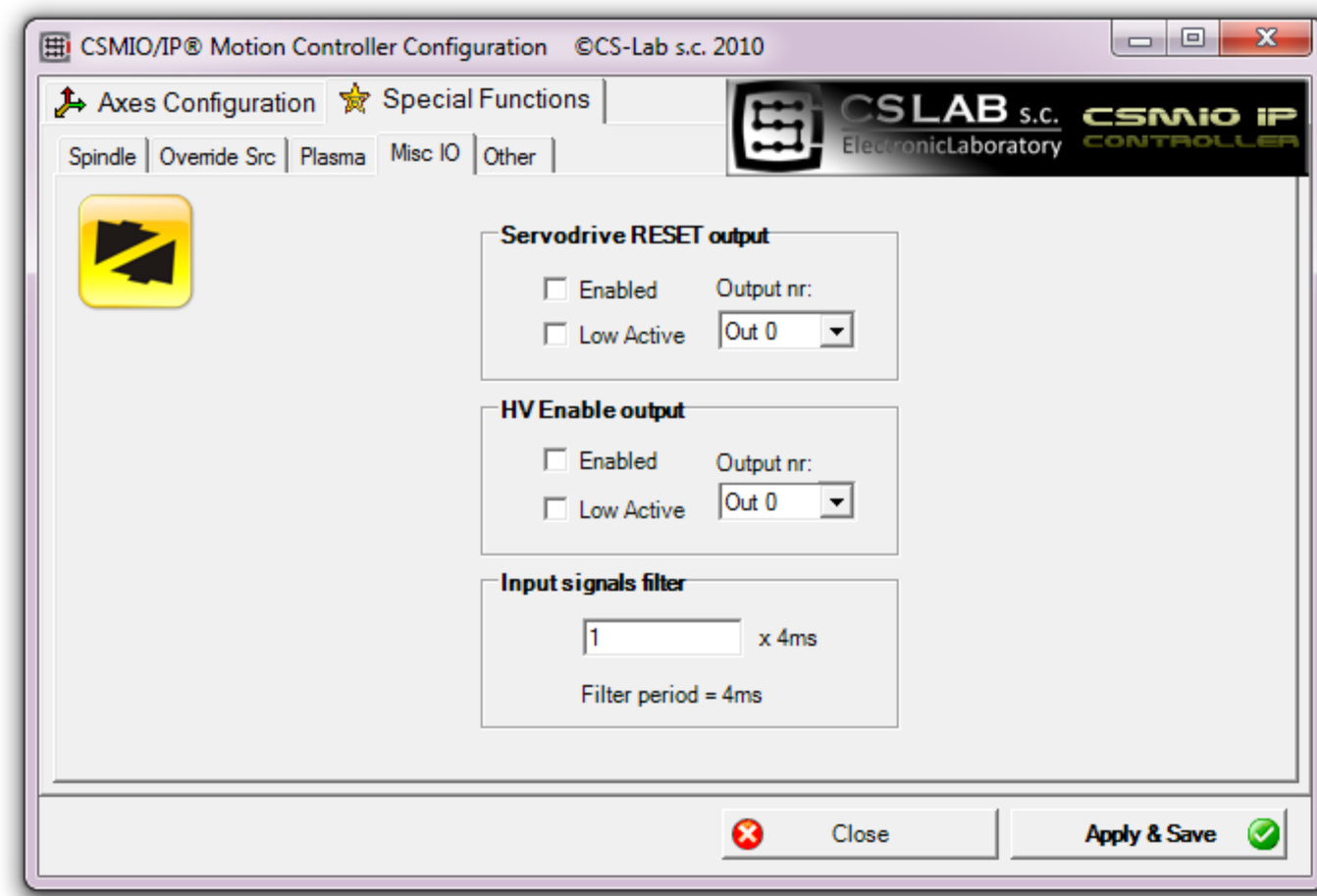
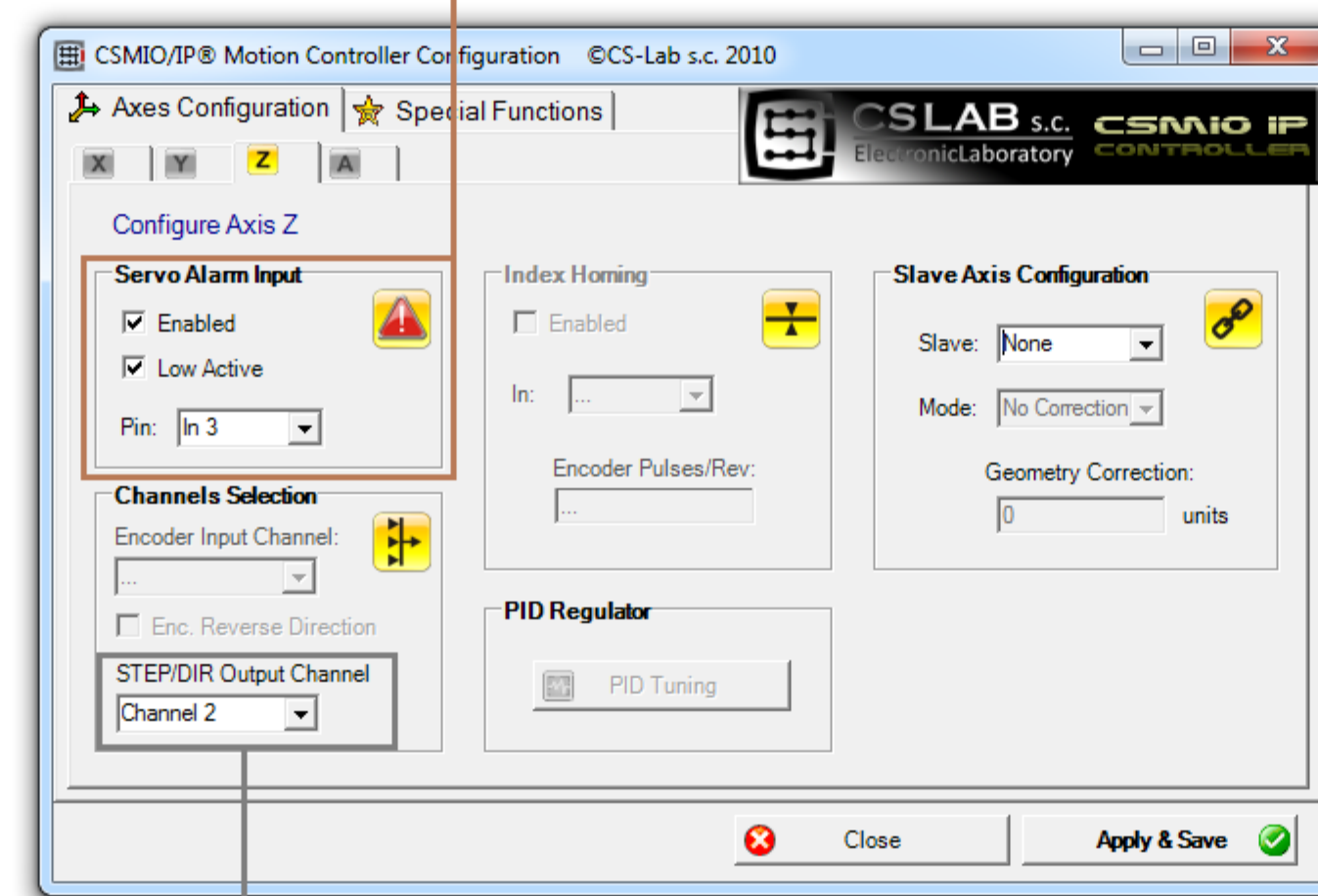
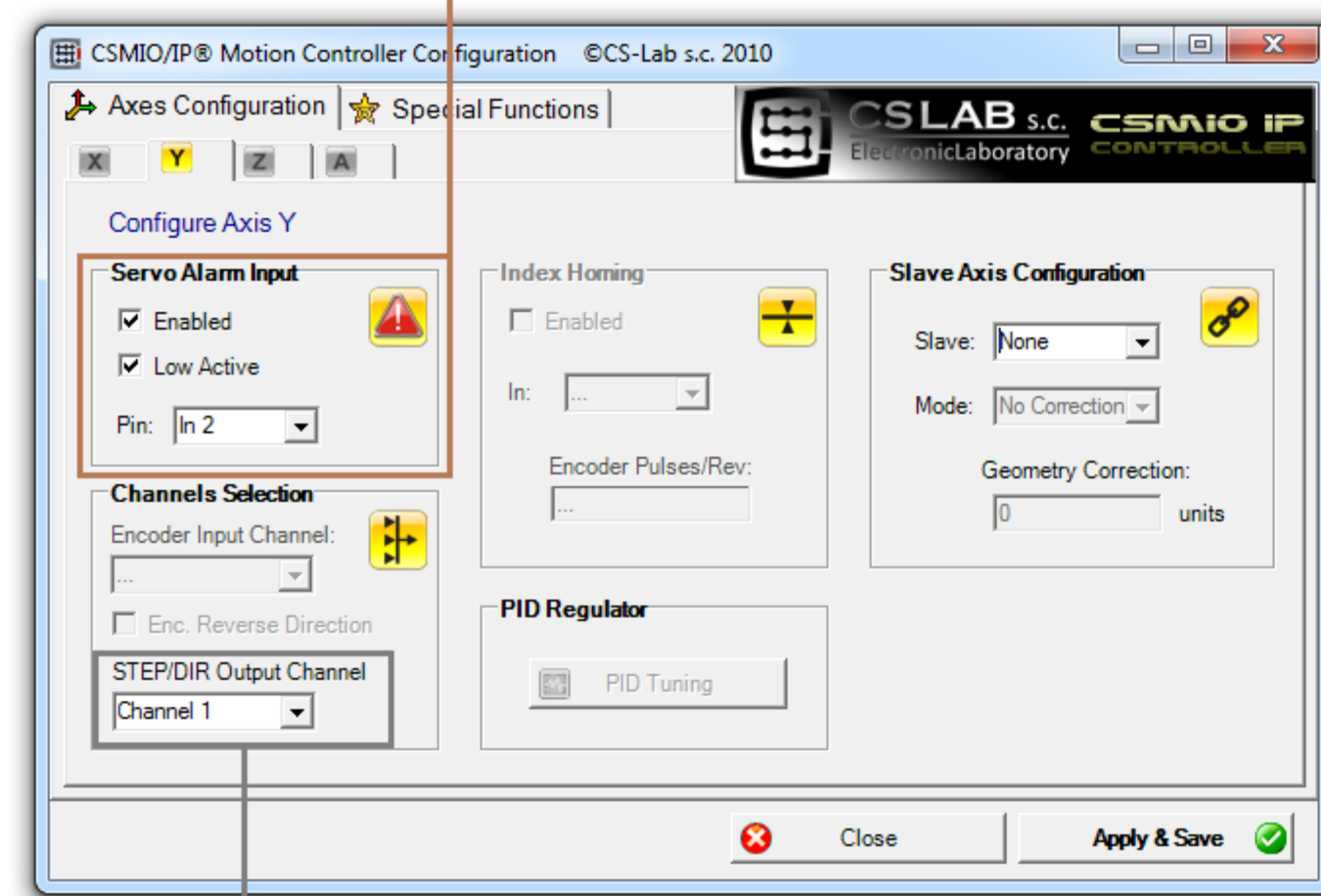
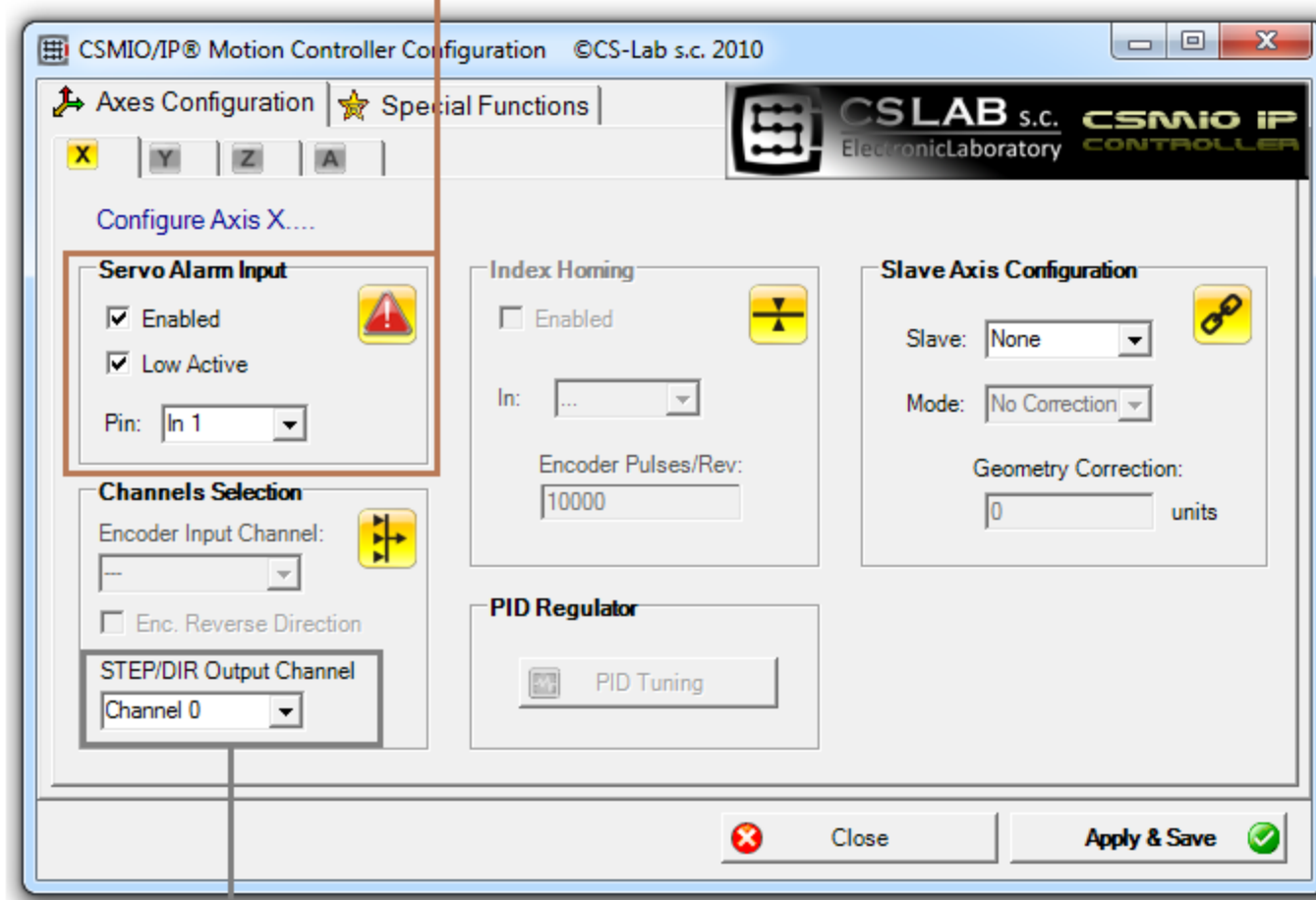


CSMIO/IP-S



Engine Configuration... Ports & Pins

Signal	Enabled	Port #	Pin Number	Active Low
Digit Trigg	✓	1	0	✓
Enable1	✓	10	0	✓
Enable2	✓	1	0	✓
Enable3	✓	1	0	✓
Enable4	✓	1	0	✓
Enable5	✓	1	0	✓
Output #1	✓	10	0	✓
Output #2	✓	1	0	✓

Pins 2 - 9, 1, 14, 16, and 17 are output pins. No other pin numbers should be used.

Engine Configuration... Ports & Pins

Signal	Enabled	Port #	Pin Number	Active Low	Emulated	HotKey
Probe	✓	1	0	✓	✓	0
Index	✓	1	0	✓	✓	0
Limit Ovrld	✓	1	0	✓	✓	0
Estop	✓	10	0	✓	✓	0
THC On	✓	1	0	✓	✓	0
THC Up	✓	1	0	✓	✓	0
THC Down	✓	1	0	✓	✓	0
OEM Trig #1	✓	1	0	✓	✓	0
OEM Trig #2	✓	1	0	✓	✓	0

Pins 10-13 and 15 are inputs. Only these 5 pin numbers may be used on this screen

Digital inputs connector (0-15)

PIN number	Description
1	Input 0 (+)
14	Input 1 (+)
2	Input 2 (+)
15	Input 3 (+)
5	Inputs 0-7 (-)

STEP/DIR controlling signals connector

PIN number	Description
14	DIR[0]-
1	DIR[0]+
15	STEP[0]-
2	STEP[0]+

Digital outputs connector (0-15)

PIN number	Details
1	24V power supply for 0-3 outputs
2	Output 0
14	Power supply DV for 0-3 outputs

STEP/DIR controlling signals connector

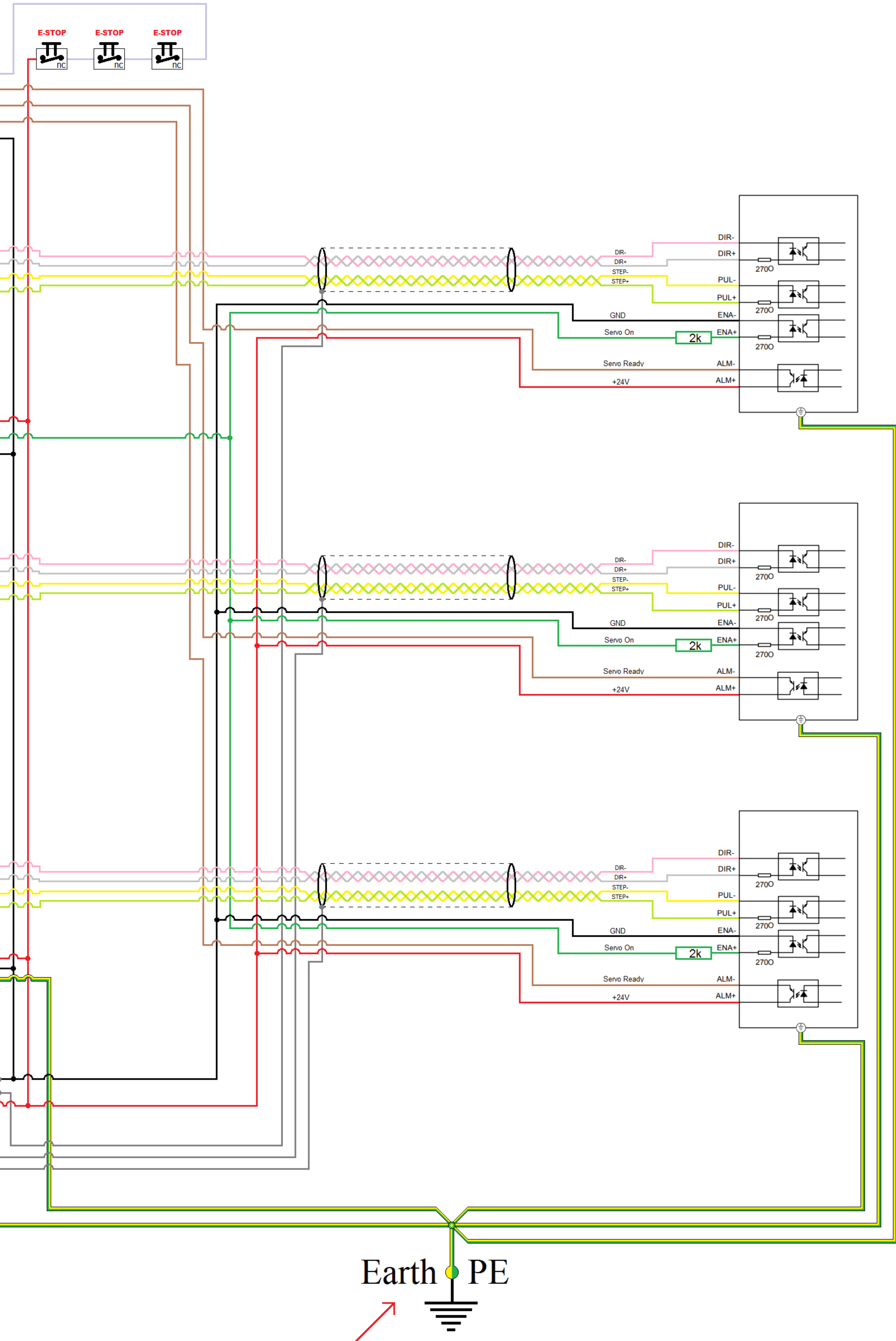
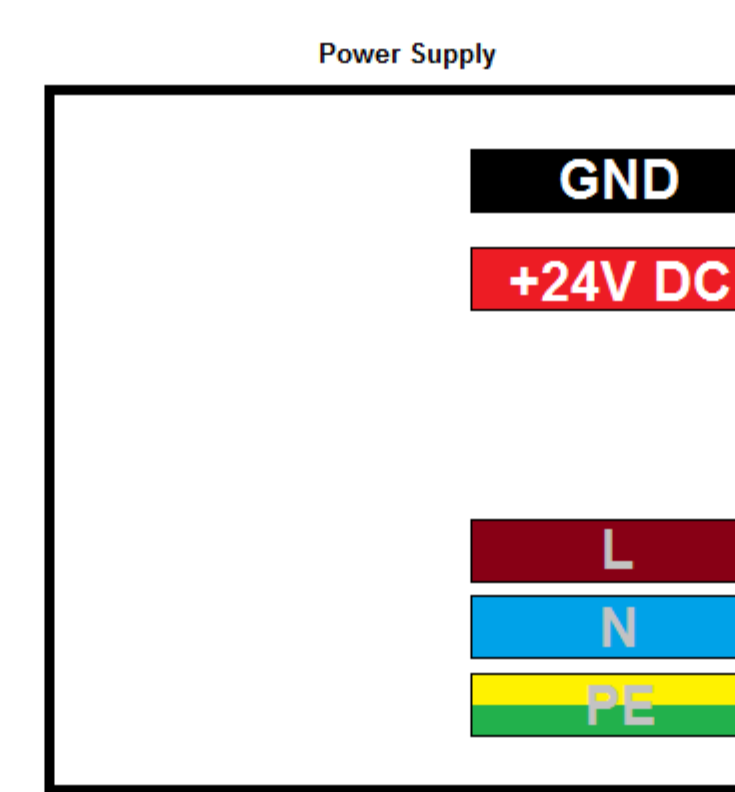
PIN number	Description
16	DIR[1]-
3	DIR[1]+
17	STEP[1]-
4	STEP[1]+

STEP/DIR controlling signals connector

PIN number	Description
18	DIR[2]-
5	DIR[2]+
19	STEP[2]-
6	STEP[2]+

Power connector

Pin number	Description
1	Power - 24V DC
2	GND
3	ground



Mach3

Earth Bars
Listwa uziemiająca

