

Spindle ID	Motor/Planner	Special ID	PRO/SRO	Homing order	Axes	Modules	Spindle	MPS	THC	PyActions	Action Buttons	new
1	CSMIO-IP						Min RPM	Max RPM	Gear Ratio	Feedback ratio	Acc. RPM/s	Decel RPM/s
2	CSMIO-IP						0	5000	1:0000	1:0000	5000.0	5000.0
3	CSMIO-IP						0	0	1:0000	1:0000	0.0	0.0
4	CSMIO-IP						0	0	1:0000	1:0000	0.0	0.0
5	CSMIO-IP						0	0	1:0000	1:0000	0.0	0.0
6	CSMIO-IP						0	0	1:0000	1:0000	0.0	0.0
7	CSMIO-IP						0	0	1:0000	1:0000	0.0	0.0
8	CSMIO-IP						0	0	1:0000	1:0000	0.0	0.0
9	CSMIO-IP						0	0	1:0000	1:0000	0.0	0.0
10	CSMIO-IP						0	0	1:0000	1:0000	0.0	0.0
11	CSMIO-IP						0	0	1:0000	1:0000	0.0	0.0
12	CSMIO-IP						0	0	1:0000	1:0000	0.0	0.0

Configuration

Enable: Use external joints

Enable soft limits: Home to index

Disable limits while homing:

Soft limit plus: 0.000 mm

Soft limit minus: 0.000 mm

Homing effect: 0.000 mm

Homing speed: 10.0 mm/s

After homing position: 0.000 mm

Homing direction: NEGATIVE

Axis type: LINEAR

Autotuning:

Configuration

Enable: Use external joints

Enable soft limits: Home to index

Disable limits while homing:

Soft limit plus: 0.000 mm

Soft limit minus: 0.000 mm

Homing effect: 0.000 mm

Homing speed: 10.0 mm/s

After homing position: 0.000 mm

Homing direction: NEGATIVE

Axis type: LINEAR

Autotuning:

Configuration

Enable: Use external joints

Enable soft limits: Home to index

Disable limits while homing:

Soft limit plus: 0.000 mm

Soft limit minus: 0.000 mm

Homing effect: 0.000 mm

Homing speed: 10.0 mm/s

After homing position: 0.000 mm

Homing direction: NEGATIVE

Axis type: LINEAR

Autotuning:

Configuration

Motor/ID setup

Motor tuning: Limit++ Disabled Inverted

Manual PID configuration: Limit- Disabled Inverted

Slave correction: 0.0000 mm

Backlash compensation: 0.0000 mm

Enable delay: 50 ms (Set all Motors)

Reset duration: 150 ms (Set all Motors)

Steps before index: 10000 Steps

Max run forbidden: 10 %

Max run warning: 14 %

Direction: Normal

Encoder direction: Normal

Drive Enable: CSMIO-IP Output 0 Inverted

Drive Reset: CSMIO-IP Output 3 Inverted

Configuration

Motor/ID setup

Motor tuning: Limit++ Disabled Inverted

Manual PID configuration: Limit- Disabled Inverted

Slave correction: 0.0000 mm

Backlash compensation: 0.0000 mm

Enable delay: 50 ms (Set all Motors)

Reset duration: 150 ms (Set all Motors)

Steps before index: 10000 Steps

Max run forbidden: 10 %

Max run warning: 14 %

Direction: Normal

Encoder direction: Normal

Drive Enable: CSMIO-IP Output 0 Inverted

Drive Reset: CSMIO-IP Output 3 Inverted

Configuration

Motor/ID setup

Motor tuning: Limit++ Disabled Inverted

Manual PID configuration: Limit- Disabled Inverted

Slave correction: 0.0000 mm

Backlash compensation: 0.0000 mm

Enable delay: 50 ms (Set all Motors)

Reset duration: 150 ms (Set all Motors)

Steps before index: 10000 Steps

Max run forbidden: 10 %

Max run warning: 14 %

Direction: Normal

Encoder direction: Normal

Drive Enable: CSMIO-IP Output 0 Inverted

Drive Reset: CSMIO-IP Output 3 Inverted

Configuration

Emergency ID: E-Stop CSMIO-IP Input 0 Inverted

Power supply control ID: Power Supply Fault Disabled Inverted

High Voltage Enable Disabled Inverted

Trapezoidal Speed Outputs: Trap Sync [0] Disabled Inverted

Trap Sync [1] Disabled Inverted

Trap Sync [2] Disabled Inverted

Trap Sync [3] Disabled Inverted

Laser: Laser Analog Out Disabled Inverted

Digital outputs connector (0-15)

PIN number	Description
15	Output 1
16	Output 2

Analog inputs/outputs connector

PIN number	Description
7	Analog output 0 (0-10V)
21	GND

Encoder inputs connector (0 / 1 / 2)

PIN number	Description
1	Enc. CH0 A+
2	Enc. CH0 B+
15	Enc. CH0 B-
3	Enc. CH0 H
16	Enc. CH0 I
17	GND
5	Enc. CH1 A+
18	Enc. CH1 A-
6	Enc. CH1 B+
19	Enc. CH1 B-
7	Enc. CH1 H
20	Enc. CH1 I
21	GND
9	Enc. CH2 A+
22	Enc. CH2 A-
10	Enc. CH2 B+
23	Enc. CH2 B-
11	Enc. CH2 H
24	Enc. CH2 I
25	GND

Analog inputs/outputs connector

PIN number	Description
1	Analog output CH0 (V/10V)
14	GNDCH0
2	Analog output CH1 (V/10V)
15	GNDCH1
3	Analog output CH2 (V/10V)
16	GNDCH2

Digital inputs connector (0-11)

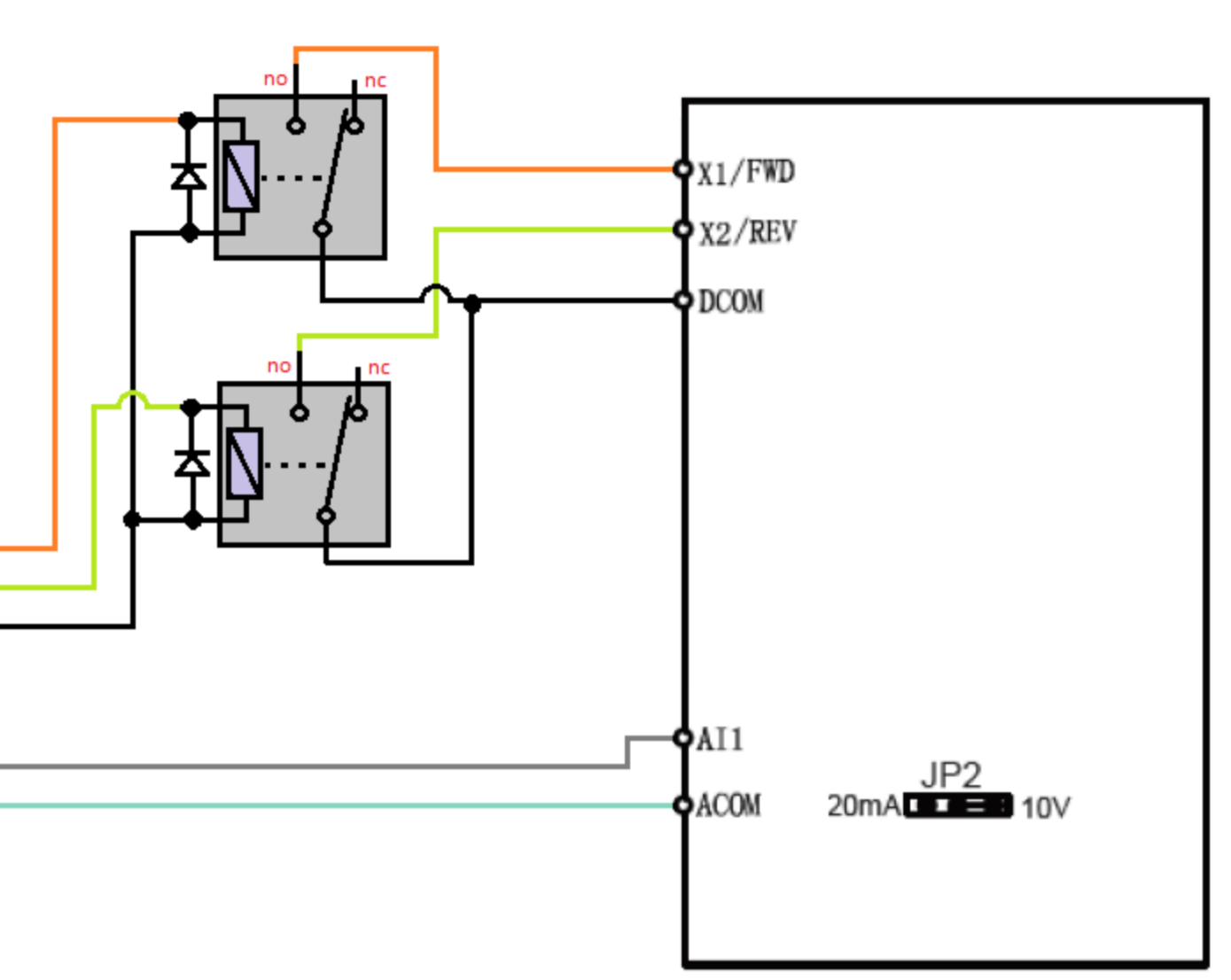
PIN number	Description
1	Input 0 (+)
2	Input 1 (+)
3	Input 2 (+)
4	Input 3 (+)
14	Input 0 (-)
15	Input 1 (-)
16	Input 2 (-)
17	Input 3 (-)

Digital outputs connector (0-15)

PIN number	Description
1	24V power supply for 0-3 outputs
2	Output 0
3	Output 2
14	Power supply DV for 0-3 outputs

Power connector

Pin number	Description
1	Power = 24V DC
2	GND
3	ground



9100 series

CSMIO/IP-A

