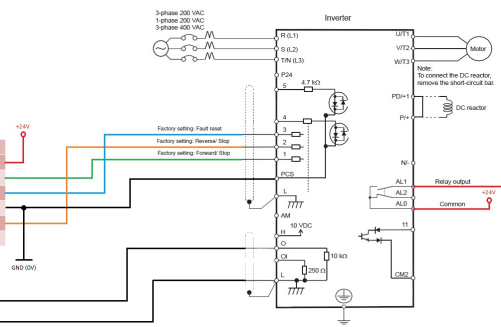


PIN number	Description
1	Analog output X (+/- 10V)
2	Analog output Y (+/- 10V)
3	Analog output Z (+/- 10V)
4	Analog output A (+/- 10V)
5	Analog output B (+/- 10V)
6	Analog output C (+/- 10V)
7	Analog output D (0-10V)
8	Analog output 1 (0-10V)
9	Analog input 0
10	Analog input 1
11	Analog input 2
12	Analog input 3
13	10V (max. 50mA)
14	Analog ground for output X
15	Analog ground for output Y
16	Analog ground for output Z
17	Analog ground for output A
18	Analog ground for output B
19	Analog ground for output C
20	GND
21	GND
22	GND
23	GND
24	GND
25	GND

PIN number	Details
1	24V power supply for 0-3 outputs
2	Output 0
3	Output 2
14	Power supply 0V for 0-3 outputs
15	Output 1
16	Output 3



PIN number	Details
9	Input 8 (-)
22	Input 8 (+)

